

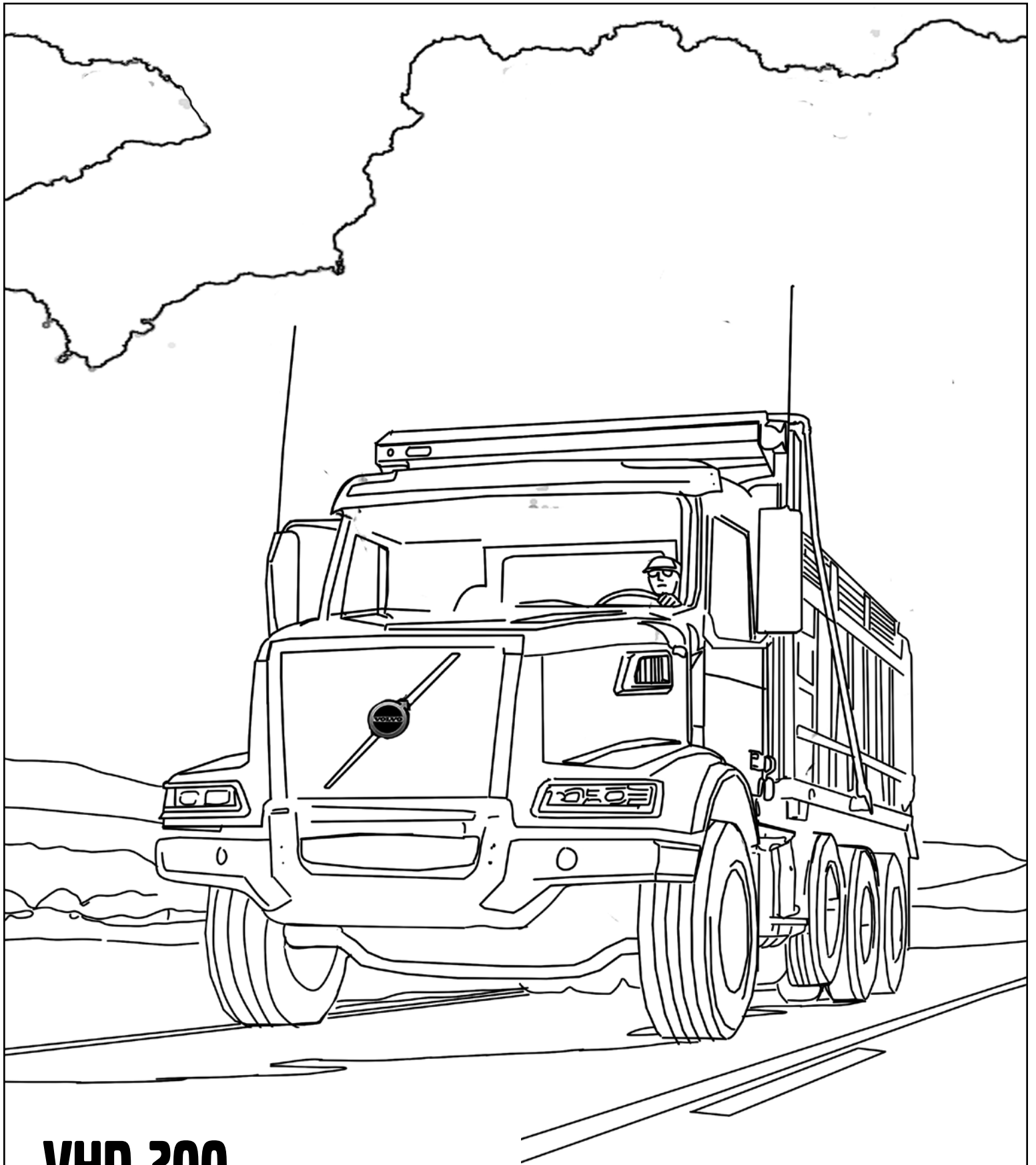


Volvo Trucks. Driving Progress

# COLORING BOOK

VNL/VNR/VHD/VNX/VAH





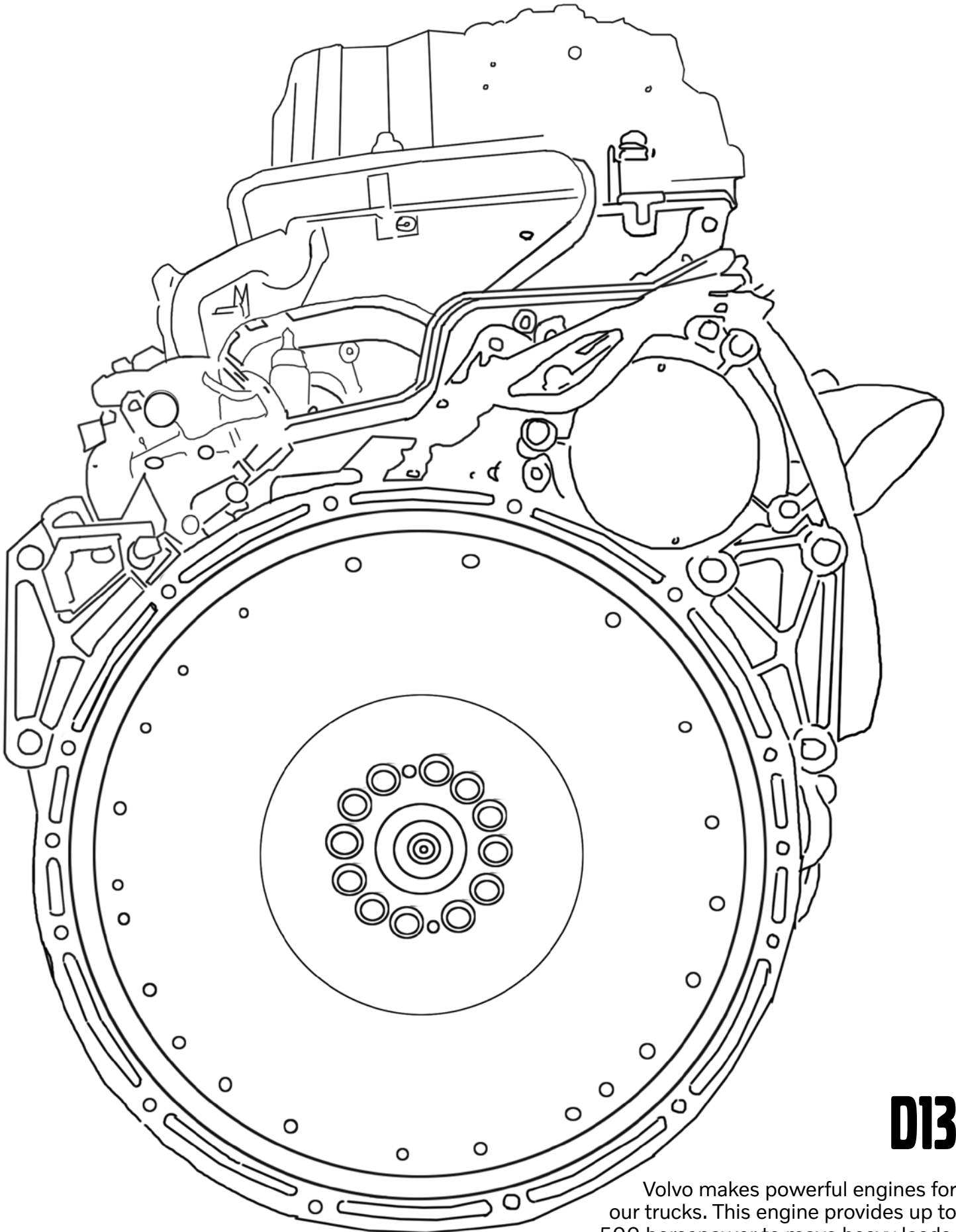
# VHD 300

The Volvo VHD is tough. It's perfect for hauling heavy loads from a jobsite.



## VNR 400

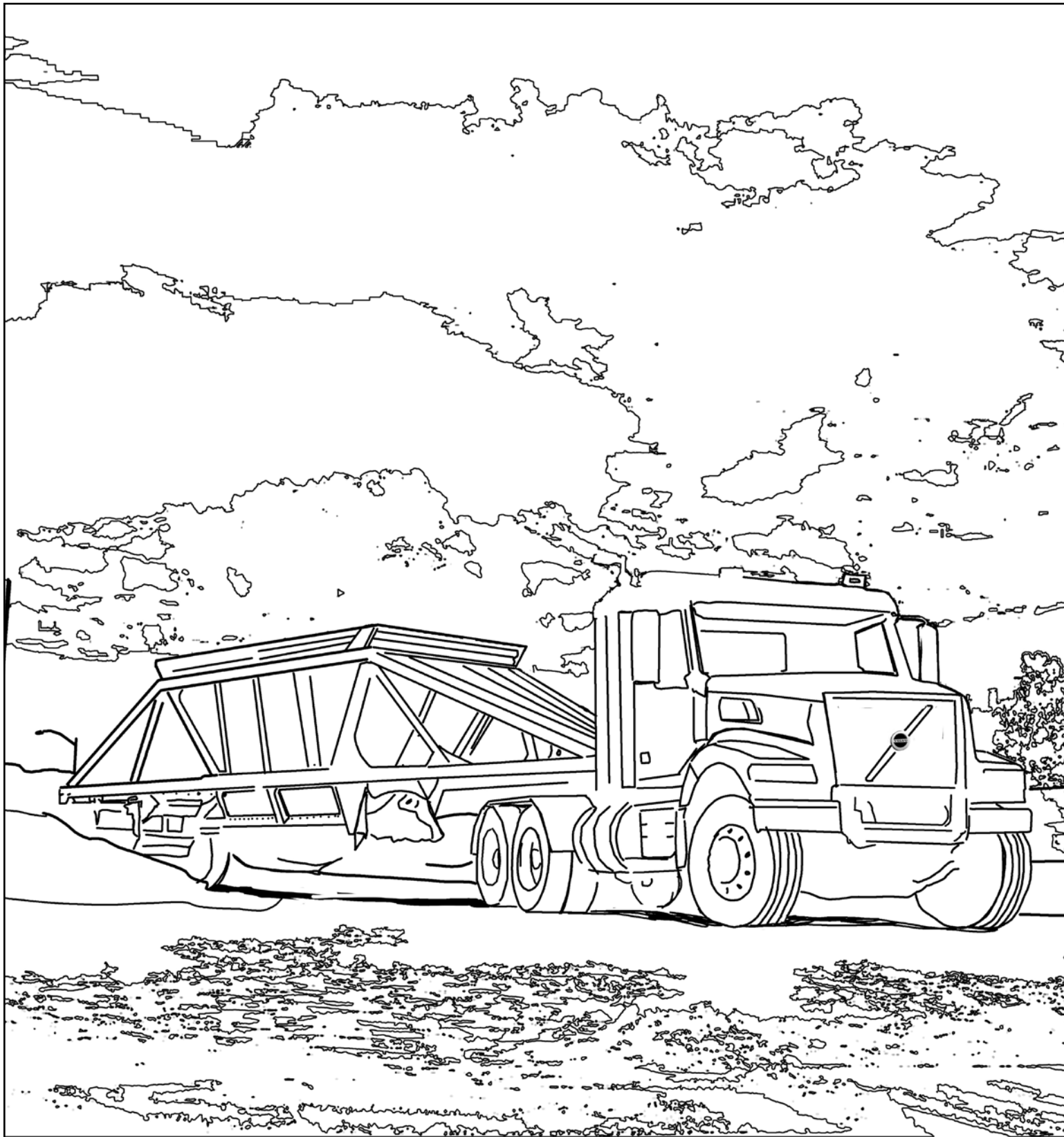
The VNR 400 can carry crops from our farms all over the country to make food for animals and people.



# D13

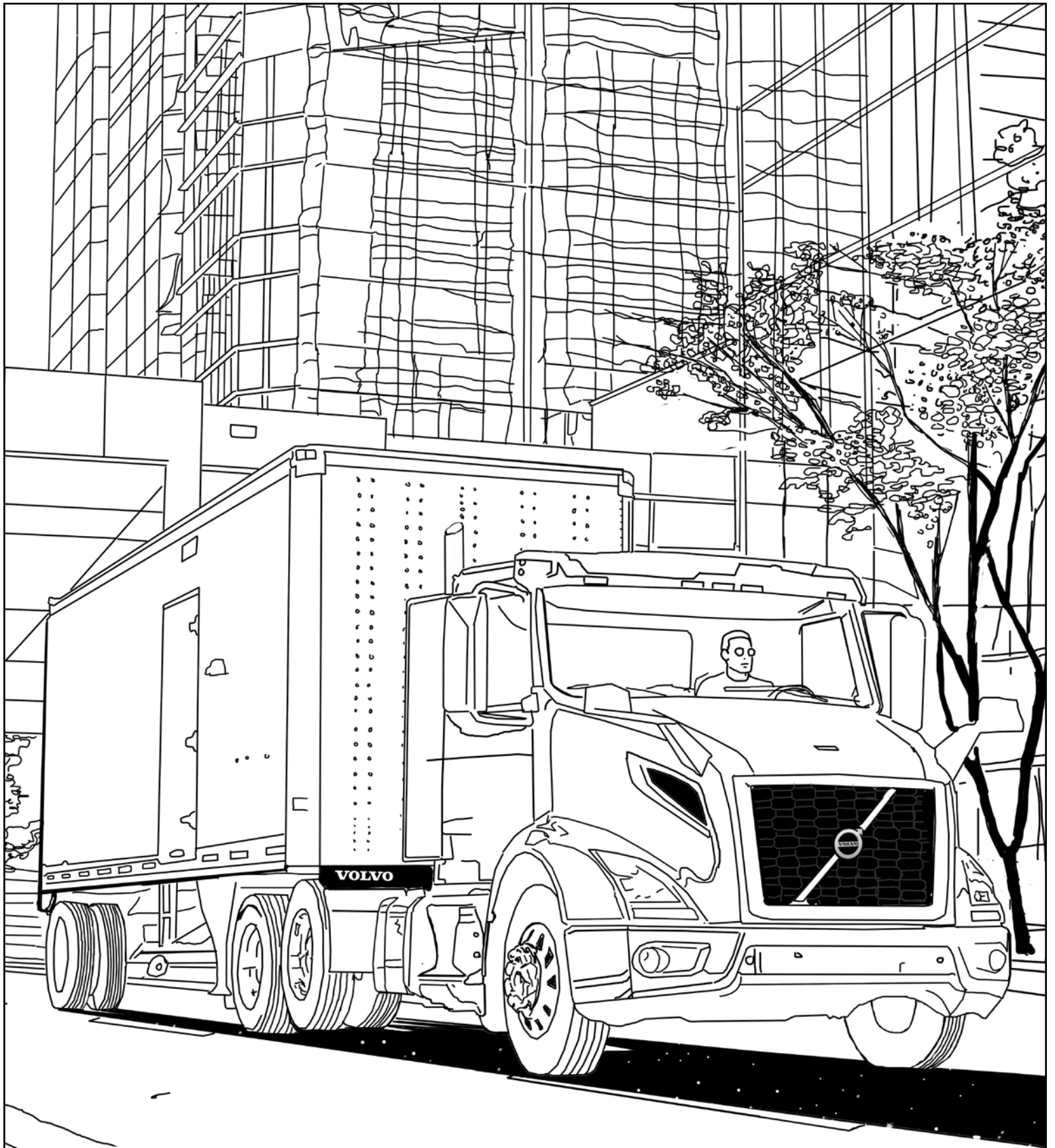
Volvo makes powerful engines for our trucks. This engine provides up to 500 horsepower to move heavy loads.





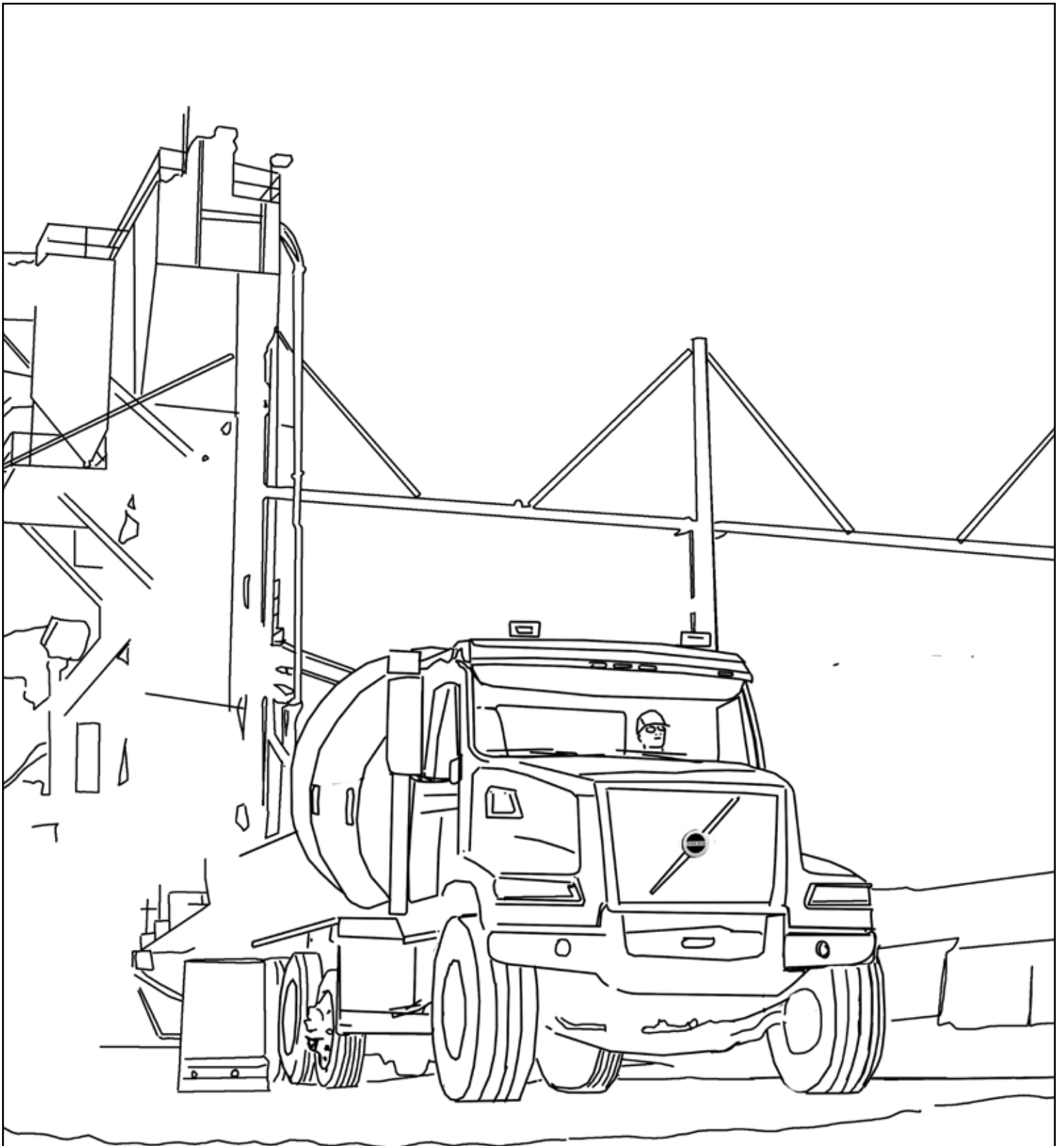
## VHD 300

Lots of sand is used when making concrete for construction. This VHD tractor is hauling a special trailer used to dump sand.



# VNR 300

Every day trucks make thousands of trips into cities across the country. This VNR 300 is bringing food to a local restaurant.

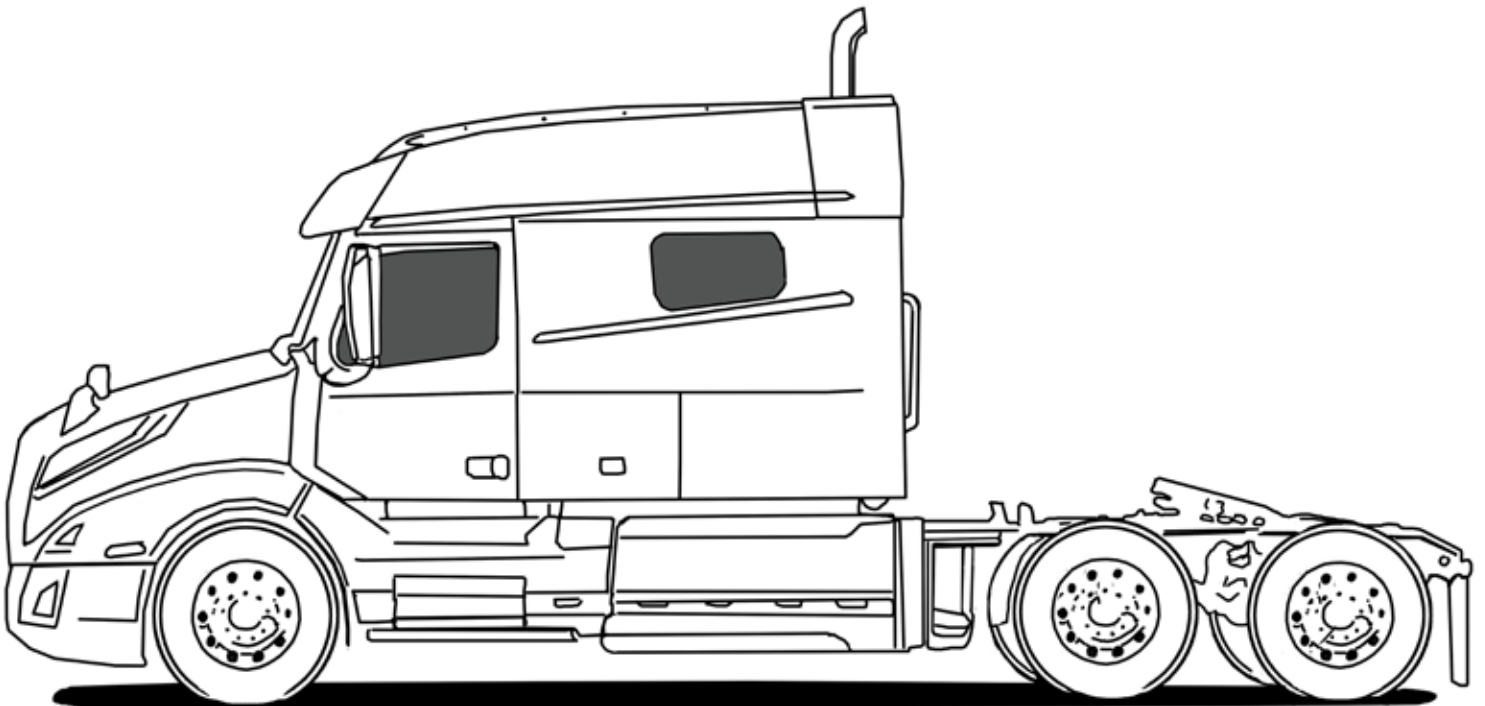
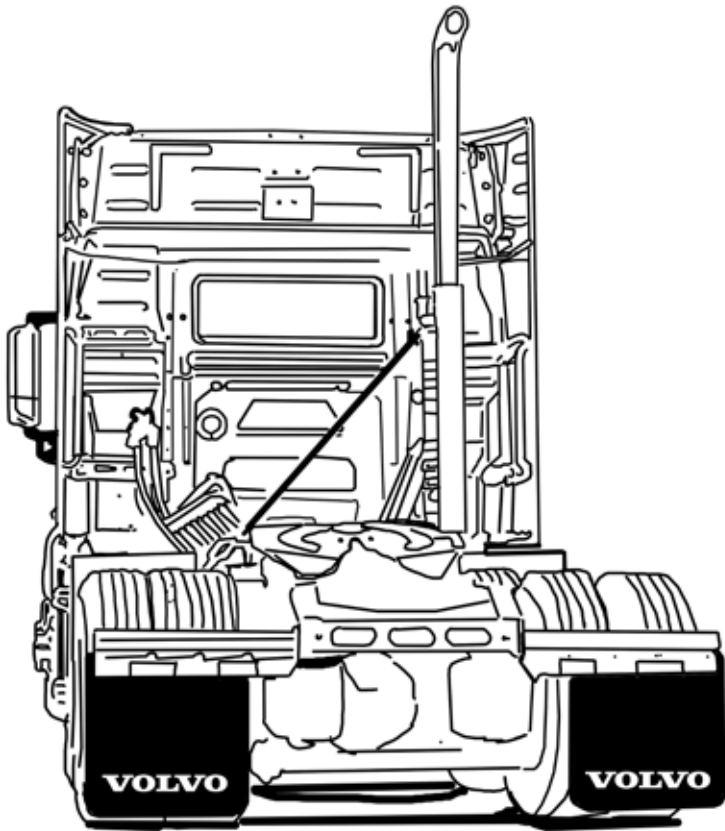


## VHD 300

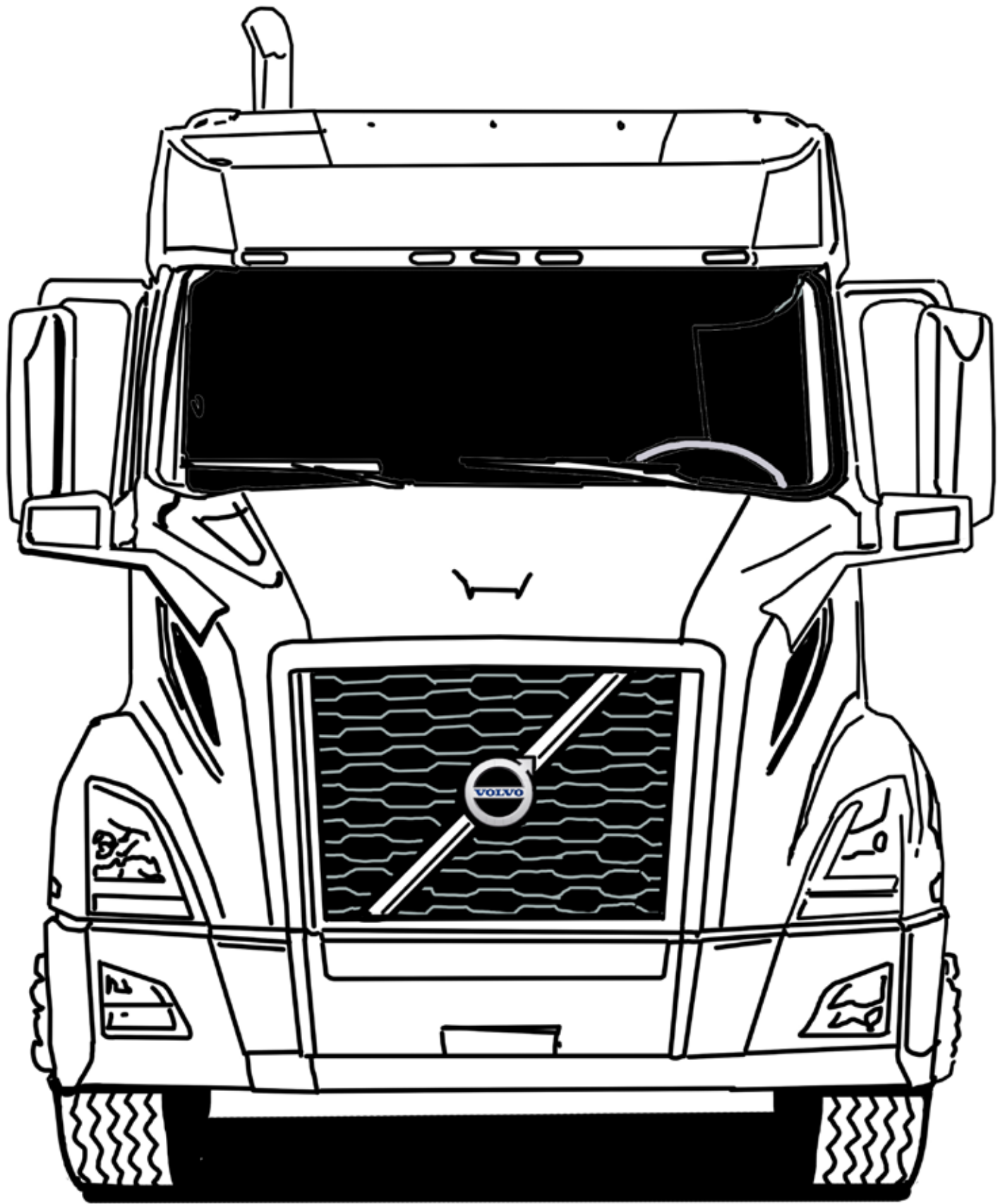
The Volvo VHD has a special transmission that allows it to move very slowly when pouring cement for sidewalks and gutters.

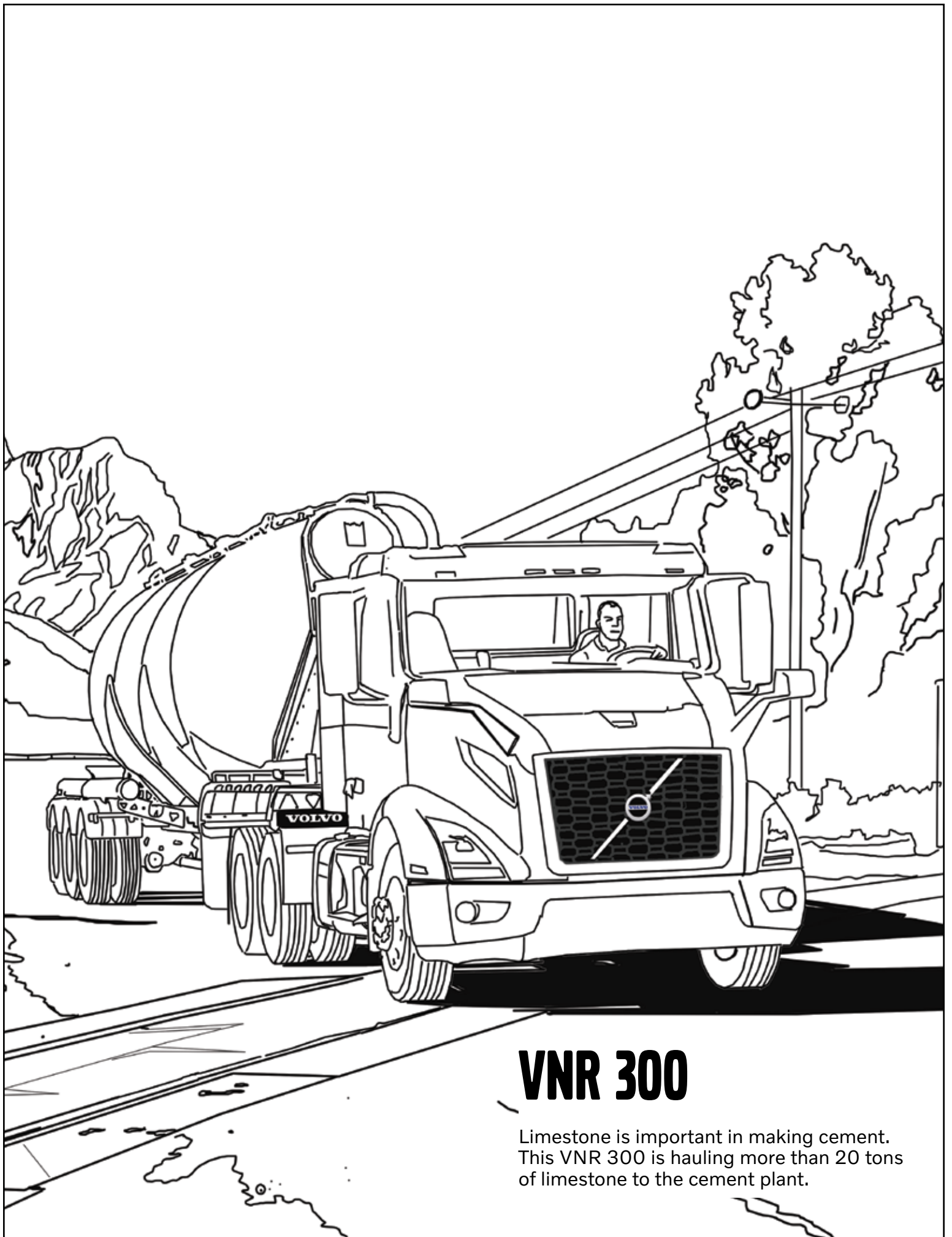
# VNL 740

The new Volvo VNL has brighter headlights so drivers can see further down the road at night.









## **VNR 300**

Limestone is important in making cement. This VNR 300 is hauling more than 20 tons of limestone to the cement plant.



## VNL 760

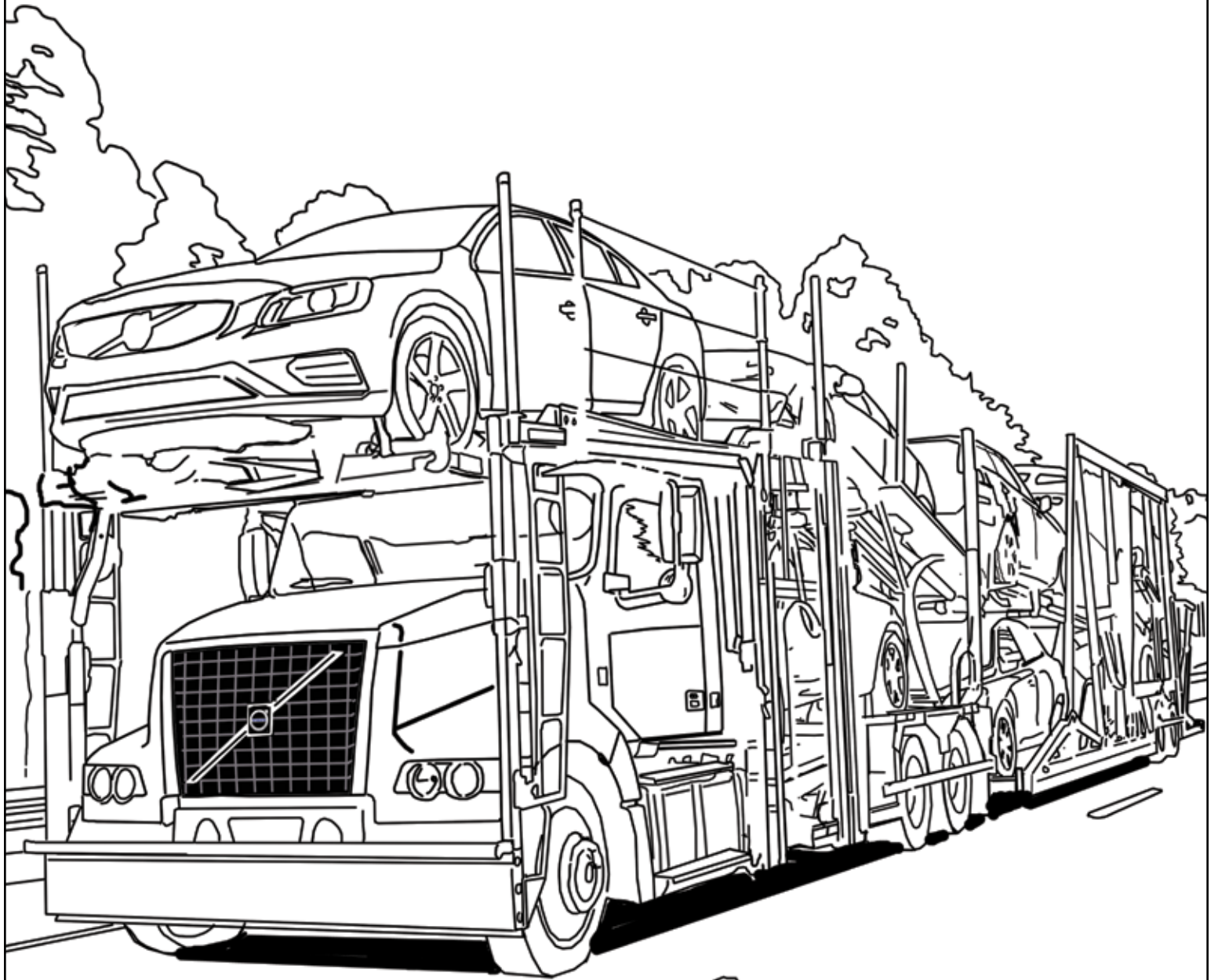
Drivers often drive very long distances that take many days. The VNL 760 has a big comfortable sleeping area behind the driver's seat so they can rest.



## VNL 740

Fuel costs money, so drivers try to save fuel any way they can. The VNL 740 doesn't stand as tall as some trucks, so it is more fuel efficient for certain jobs.

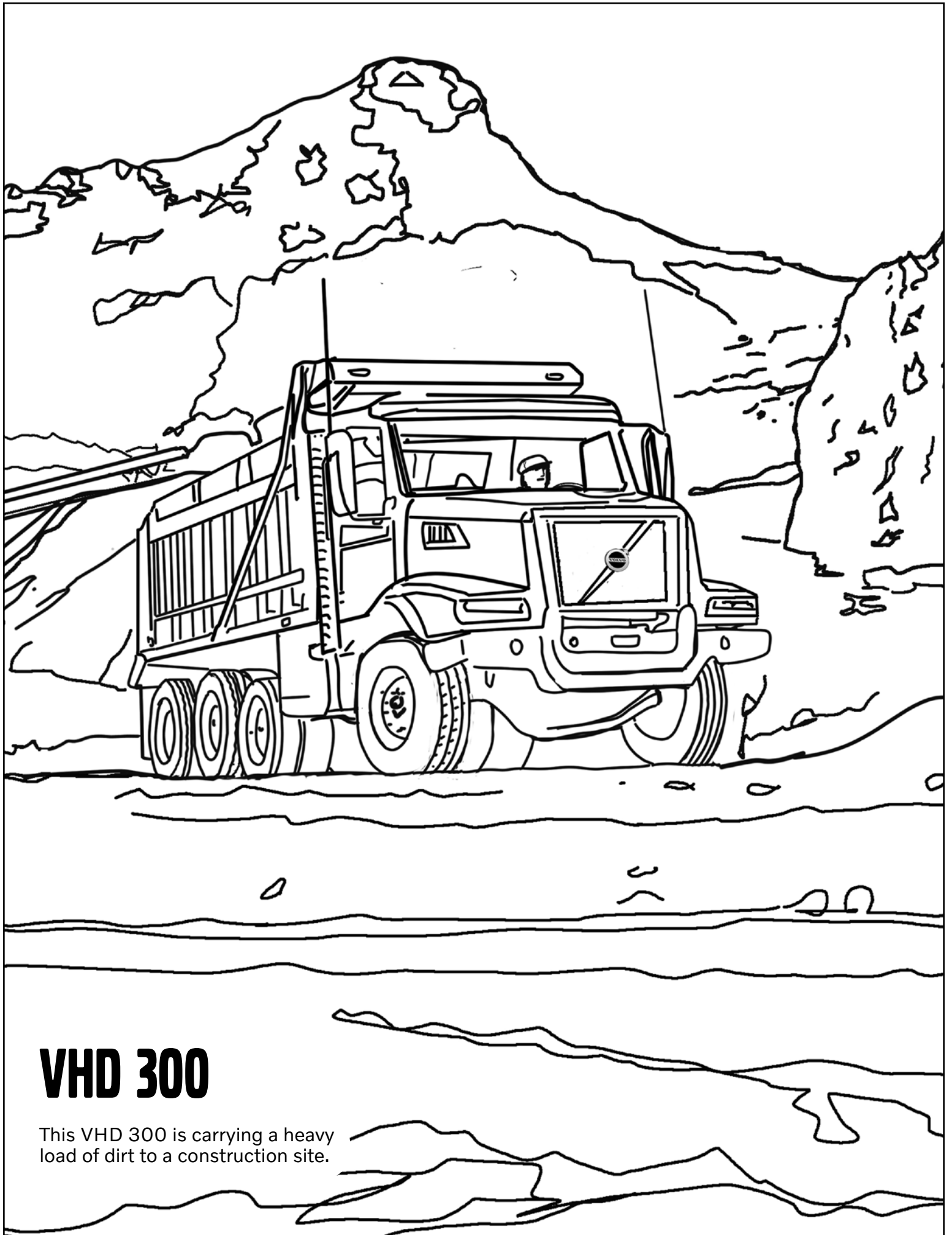




## VAH 400

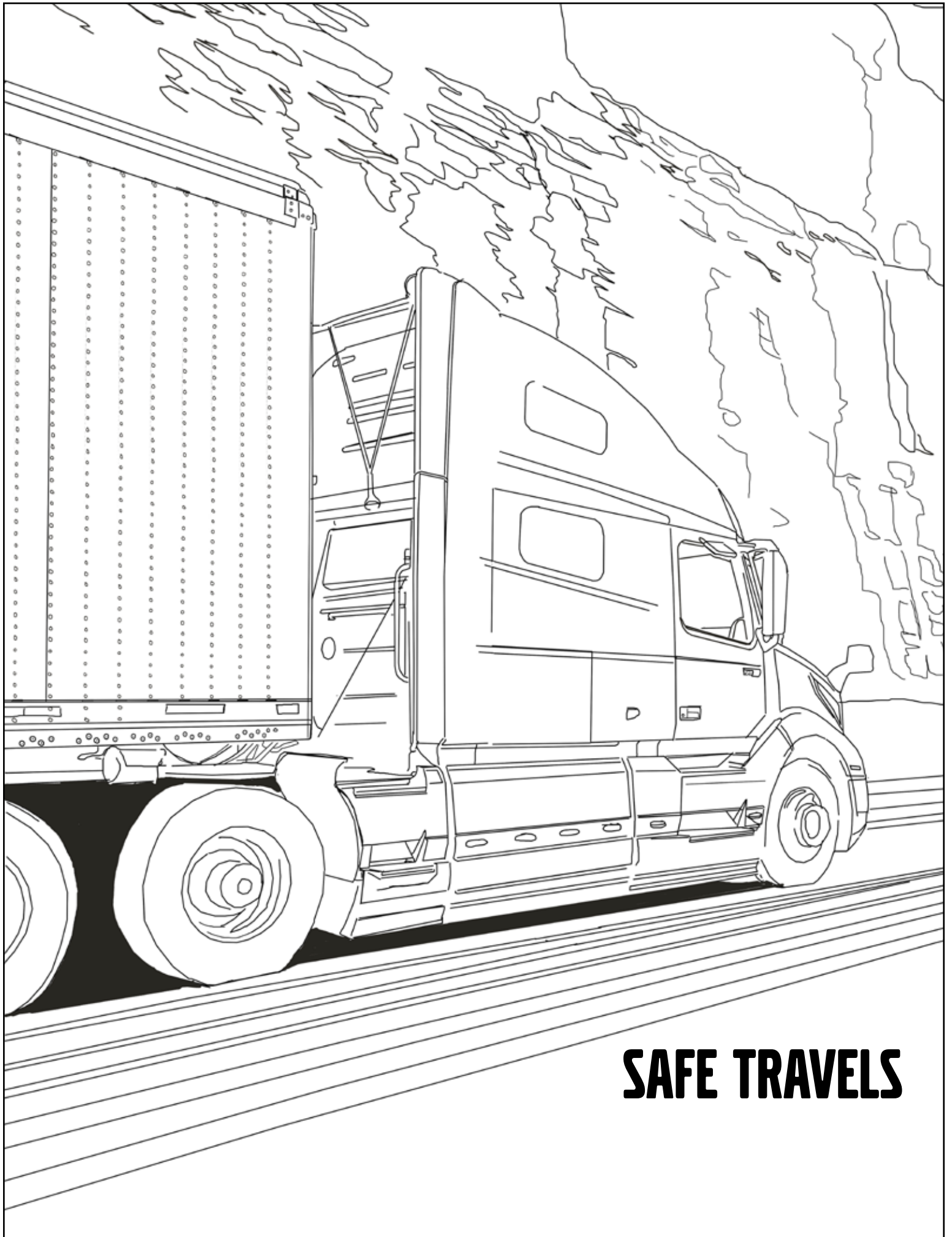
Cars have to be carried from the manufacturing plant to dealerships. This VAH 400 is carrying a load of Volvo cars to their new owners.





# VHD 300

This VHD 300 is carrying a heavy load of dirt to a construction site.



**SAFE TRAVELS**



# **VOLVO**

**Volvo Trucks**

[www.volvotrucks.us](http://www.volvotrucks.us) | [www.volvotrucks.ca](http://www.volvotrucks.ca)

Some vehicles shown with optional equipment.

©2020 Volvo Truck Group North America, LLC